

INCH-POUND

MIL-PRF-83536/32E

12 August 2019

SUPERSEDING

MIL-PRF-83536/32D

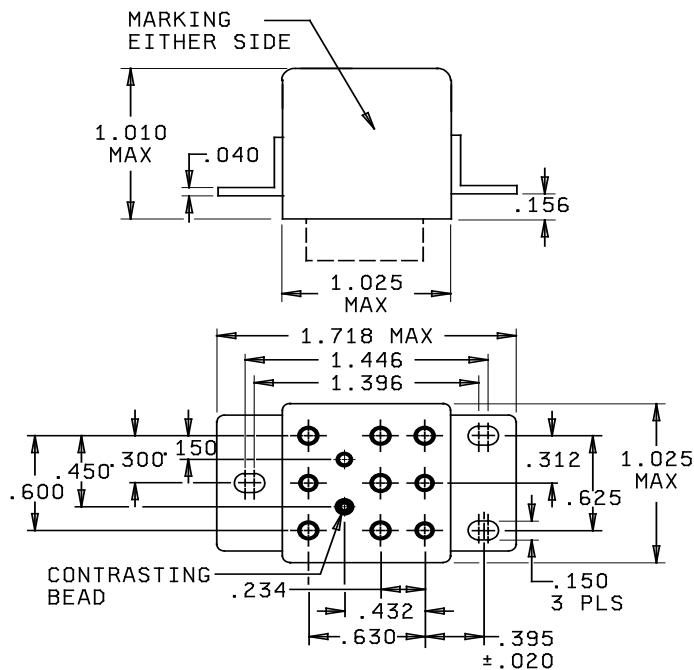
03 October 2017

PERFORMANCE SPECIFICATION SHEET

RELAYS, ELECTROMAGNETIC, ESTABLISHED RELIABILITY, 3PDT,
25 AMPERES (RESISTIVE), PERMANENT MAGNET DRIVE, HERMETICALLY SEALED,
ALL WELDED, DC COIL

This specification is approved for use by all Departments
and Agencies of the Department of Defense.

The requirements for acquiring the product described herein
shall consist of this specification sheet and [MIL-PRF-83536](#).



Raised Vertical Flange Mount (RVFM)

SOLDER HOOK, SOLDER PIN, AND SOCKET PIN RELAYS

FIGURE 1. Configurations and dimensions.

AMSC N/A

FSC 5945

