

---

---

**Road vehicles — Communication  
between vehicle and external  
equipment for emissions-related  
diagnostics —**

Part 3:  
**Diagnostic connector and related  
electrical circuits: Specification and  
use**

*Véhicules routiers — Communications entre un véhicule et un  
équipement externe pour le diagnostic relatif aux émissions —*

*Partie 3: Connecteur de diagnostic et circuits électriques associés:  
spécifications et utilisation*





**COPYRIGHT PROTECTED DOCUMENT**

© ISO 2023

All rights reserved. Unless otherwise specified, or required in the context of its implementation, no part of this publication may be reproduced or utilized otherwise in any form or by any means, electronic or mechanical, including photocopying, or posting on the internet or an intranet, without prior written permission. Permission can be requested from either ISO at the address below or ISO's member body in the country of the requester.

ISO copyright office  
CP 401 • Ch. de Blandonnet 8  
CH-1214 Vernier, Geneva  
Phone: +41 22 749 01 11  
Email: [copyright@iso.org](mailto:copyright@iso.org)  
Website: [www.iso.org](http://www.iso.org)

Published in Switzerland

# Contents

	Page
<b>Foreword</b> .....	<b>iv</b>
<b>Introduction</b> .....	<b>v</b>
<b>1 Scope</b> .....	<b>1</b>
<b>2 Normative references</b> .....	<b>1</b>
<b>3 Terms and definitions</b> .....	<b>1</b>
<b>4 Abbreviated terms</b> .....	<b>1</b>
<b>5 Conventions</b> .....	<b>2</b>
<b>6 Technical requirements overview</b> .....	<b>2</b>
<b>7 Physical layer</b> .....	<b>2</b>
7.1 PM – Data link connector (DLC) requirements.....	2
7.1.1 PM – RHD vehicle DLC system performance requirements.....	2
7.1.2 PM – RHD vehicle DLC location and position.....	2
7.1.3 PM – RHD vehicle DLC securely mounted.....	2
7.1.4 PM – RHD vehicle DLC mounting direction and tolerance.....	2
7.2 PM – DLC Ethernet support layout.....	3
7.3 PM – ACL for on-board pyrotechnic devices.....	3
<b>Bibliography</b> .....	<b>4</b>

## Foreword

ISO (the International Organization for Standardization) is a worldwide federation of national standards bodies (ISO member bodies). The work of preparing International Standards is normally carried out through ISO technical committees. Each member body interested in a subject for which a technical committee has been established has the right to be represented on that committee. International organizations, governmental and non-governmental, in liaison with ISO, also take part in the work. ISO collaborates closely with the International Electrotechnical Commission (IEC) on all matters of electrotechnical standardization.

The procedures used to develop this document and those intended for its further maintenance are described in the ISO/IEC Directives, Part 1. In particular, the different approval criteria needed for the different types of ISO documents should be noted. This document was drafted in accordance with the editorial rules of the ISO/IEC Directives, Part 2 (see [www.iso.org/directives](http://www.iso.org/directives)).

Attention is drawn to the possibility that some of the elements of this document may be the subject of patent rights. ISO shall not be held responsible for identifying any or all such patent rights. Details of any patent rights identified during the development of the document will be in the Introduction and/or on the ISO list of patent declarations received (see [www.iso.org/patents](http://www.iso.org/patents)).

Any trade name used in this document is information given for the convenience of users and does not constitute an endorsement.

For an explanation of the voluntary nature of standards, the meaning of ISO specific terms and expressions related to conformity assessment, as well as information about ISO's adherence to the World Trade Organization (WTO) principles in the Technical Barriers to Trade (TBT), see [www.iso.org/iso/foreword.html](http://www.iso.org/iso/foreword.html).

This document was prepared by Technical Committee ISO/TC 22, *Road vehicles*, Subcommittee SC 31, *Data communication*.

This third edition cancels and replaces the second edition (ISO 15031-3:2016), which has been technically revised.

The main changes are as follows:

- restructuration of the document;
- introduction of requirement numbers, names and definitions;
- update of the dated references to SAE J1962:201607.

A list of all parts in the ISO 15031 series can be found on the ISO website.

Any feedback or questions on this document should be directed to the user's national standards body. A complete listing of these bodies can be found at [www.iso.org/members.html](http://www.iso.org/members.html).

## Introduction

The ISO 15031 series consists of a number of parts which, taken together, provide a coherent self-consistent set of specifications to facilitate emissions-related diagnostics. ISO 15031-1 provides an overview about communication between vehicle and external equipment for emissions-related diagnostics. ISO 15031-2 through ISO 15031-7 are based on SAE recommended practices. This document is based on SAE J1962 (diagnostic connector).

The first edition of this document was based on SAE J1962 and was intended to meet European OBD requirements for 2000 and later model year vehicles, and added a modified connector type to accommodate vehicles with a 24 V system.

The ISO 15031 series includes the communication between the vehicle's on-board diagnostic (OBD) systems and test equipment implemented across vehicles within the scope of the legislated emissions-related OBD.

To achieve this, it is based on the Open Systems Interconnection (OSI) Basic Reference Model in accordance with ISO/IEC 7498-1 and ISO/IEC 10731:

- data link layer:
  - ISO 11898-1;
  - SAE J1850;
  - ISO 9141-2;
  - ISO 14230-2;
  - ISO 26021-1.
- physical layer:
  - ISO 11898-1, ISO 11898-2;
  - SAE J1850;
  - ISO 9141-2;
  - ISO 14230-1;
  - ISO 26021-1.

[Figure 1](#) illustrates this document's reference according to the OSI model.

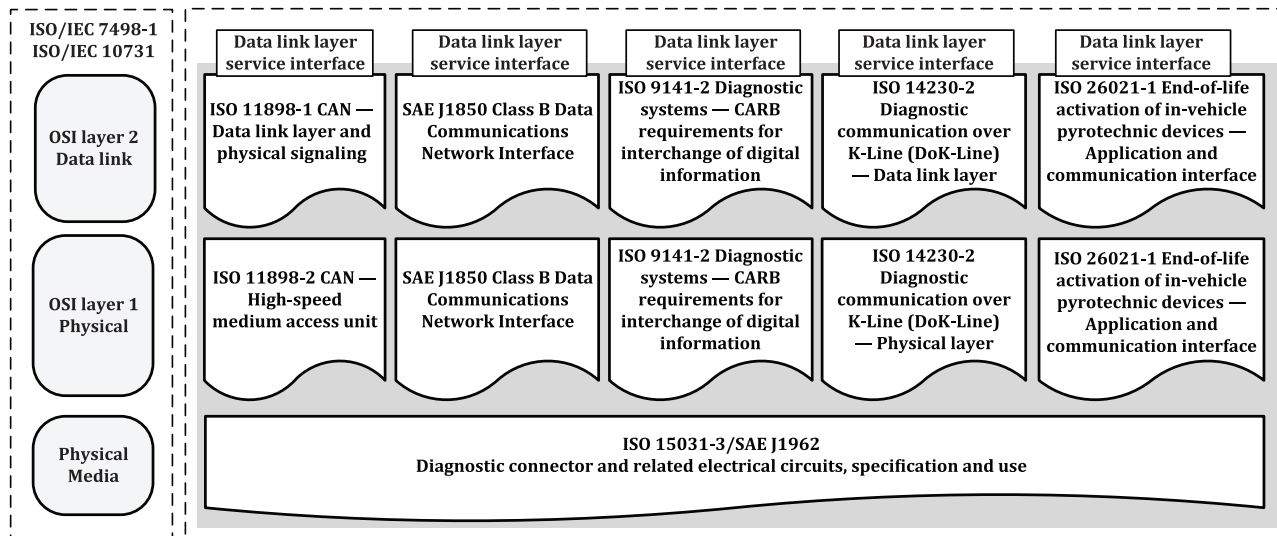


Figure 1 — ISO 15031-3 document reference according to OSI model

# Road vehicles — Communication between vehicle and external equipment for emissions-related diagnostics —

## Part 3: Diagnostic connector and related electrical circuits: Specification and use

### 1 Scope

This document references the latest publication of SAE J1962.

On-board diagnostic (OBD) regulations require road vehicles to be equipped with a standardized connector for purposes of access to OBD information by external test equipment. This document describes the requirements for the physical connection and associated pin usage to allow for standard access to the OBD data.

This document is technically equivalent to SAE J1962 with the exception of the specific requirements identified and the specification of additional requirements related to right hand driven (RHD) vehicles.

### 2 Normative references

The following documents are referred to in the text in such a way that some or all of their content constitutes requirements of this document. For dated references, only the edition cited applies. For undated references, the latest edition of the referenced document (including any amendments) applies.

ISO 13400-4, *Road vehicles — Diagnostic communication over Internet Protocol (DoIP) — Part 4: Ethernet-based high-speed data link connector*

ISO 15031-2, *Road vehicles — Communication between vehicle and external equipment for emissions-related diagnostics — Part 2: Guidance on terms, definitions, abbreviations and acronyms*

ISO 26021-1, *Road vehicles — End-of-life activation of in-vehicle pyrotechnic devices — Part 1: Application and communication interface*

### 3 Terms and definitions

For the purposes of this document, the terms and definitions given in ISO 15031-2 apply.

ISO and IEC maintain terminology databases for use in standardization at the following addresses:

— ISO Online browsing platform: available at <https://www.iso.org/obp>

— IEC Electropedia: available at <https://www.electropedia.org/>

### 4 Abbreviated terms

ACL	additional communication line
CAN	controller area network
DLC	data link connector